



Ridgeway Seating Assembly










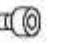


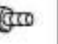
Instructions: page 1

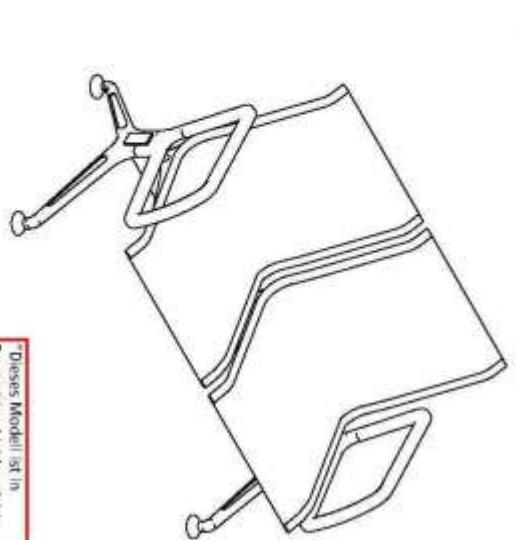
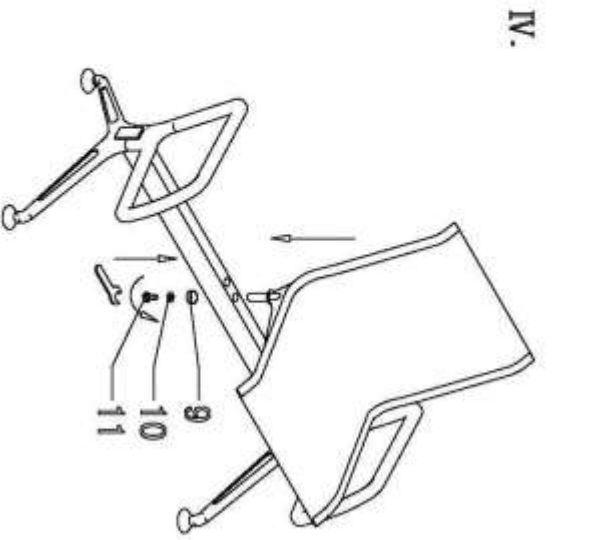
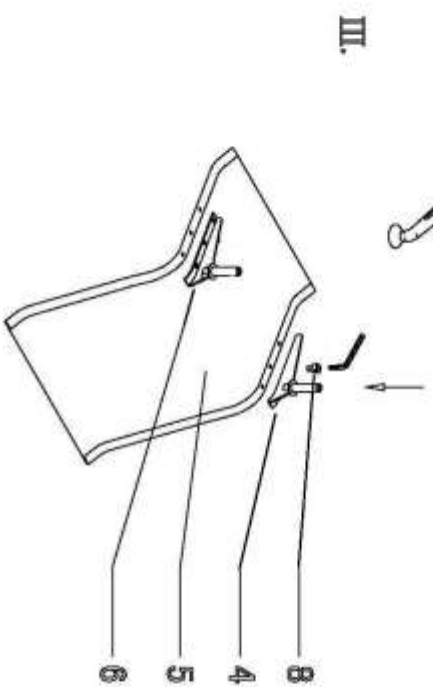
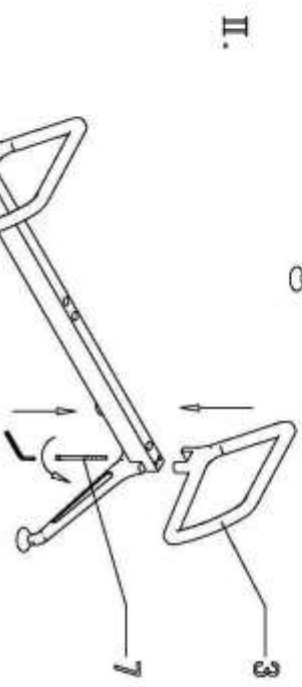
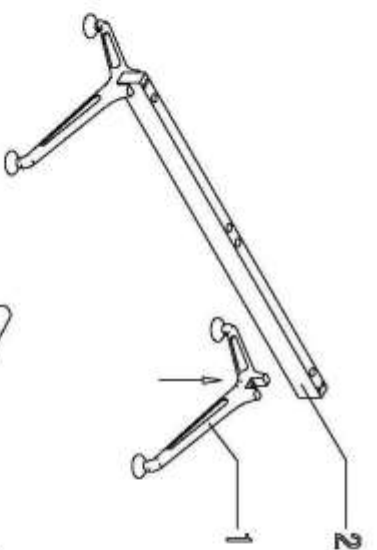
Drawing: page 2

- I. Position **leg** (1) and **beam** (2) in place.
 - a. **Note front of leg is longer than back of leg.**
- II. Place **arm** (3) on **beam** (2) over **leg** (1) and attach with **bolts** (7).
- III. Place **Right** (6) and **Left** (4) seat brackets on seat shell (5) and attach with **bolt** (8).

**Right & Left brackets must be correct for proper beam mounting. See page 2.*
- IV. Place assembled **seat shell** (5) on **beam**, place **bolts** in holes from bottom and attach with hardware (9) (10) (11).
- V. **Tables** mount the same as seats.
- VI. Apply ASA Stickers to beam (**See page 3**)

Ridgeway Assembly Instructions

1			2pcs
2			1pc
3			2pcs
4		L	2pcs
5			2pcs
6		R	2pcs
7		M10x160	4pcs
8		M8x12	12pcs
9		φ32x12	4pcs
10		φ28xφ12x2	4pcs
11		M12x30	4pcs



Dieses Modell ist in
Deutschland leider nicht
verfügbar*



ASA Sticker Placement

