

PACIFICA II | SEATING SPECIFICATIONS



STEEL SEAT PAN 2.5 MM THICK POWDER COATED



MOLDED INTEGRAL POLYURETHANE
OR UPHOLSTERED CUSHIONS WITH VINYL COVERING

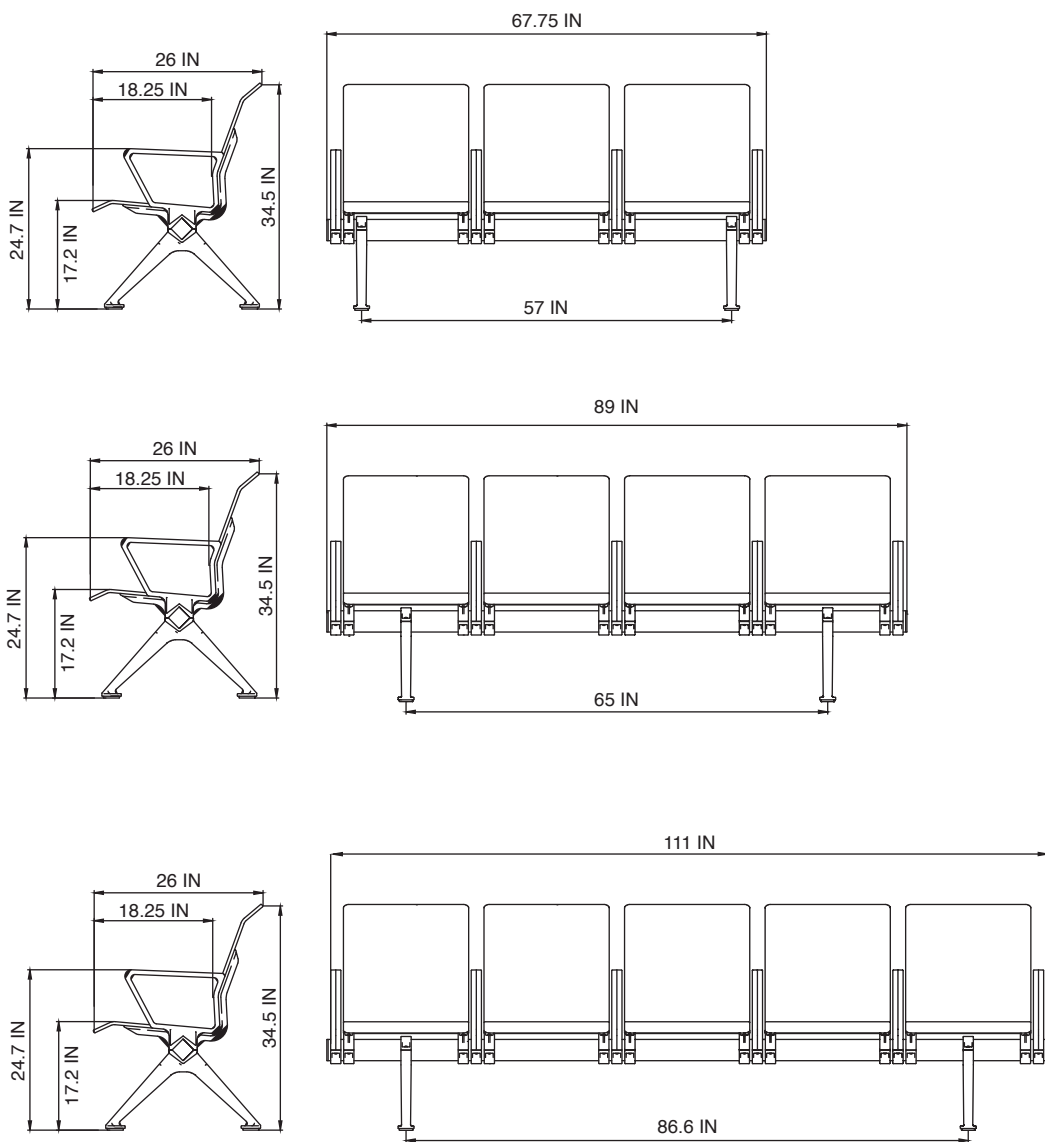


CAST ALUMINUM POWDER COATED

PACIFICA II | SEATING SPECIFICATIONS



- Legs:** Cast aluminum powder coated
- Seat pan:** Steel seat pan 2.5 mm thick powder coated
- Arms:** Cast aluminum powder coated
- Finish:** All parts powder coated,
- Cushions:** Molded integral polyurethane
- Tables:** Table sizes available
- Seat options:** Formed steel, Beach wood, Aluminum, Upholstered
- Configurations:** 2 – 3 – 4 seat units with and without arms
- Assembly:** Seats and legs clamp to the beam for fast and easy assembly



FOR MORE INFORMATION

