



Advantages of Commercial Stainless Steel Benches:

- Impervious to the elements, weather-resistant
- Extremely durable
- Contemporary, classic design
- Won't rot, splinter or crack like wooden benches
- Versatile for indoor or outdoor use
- Easy-to-clean, NO maintenance
- Designed for comfort with contoured seats

Specifications:

- Loop arms between seats optional
- Ships disassembled, some assembly required
- Heavy-duty, zinc-coated hardware
- Floor mounting optional on some models
- Each seat is a one piece fabricated unit
- Arms, Legs and Beams are composed of stainless steel
- All Metal Eco Friendly 100% recyclable

Product Summary:

Perfect for transit centers, parks, railway platforms, bus kiosk, gyms, recreation centers, cruise ship terminals or government agencies.



Model 321



Model 322



Model 323



Model 9100



Models 321, 322 and 323

Aluminum Alloy Leg and Beam; Stainless Steel Seat Pan and Arm
(Arm on Model 323 only)

Material Thickness:

Seat Pan- 0.06 inches

Steel Beam- 0.1 inches

Leg- 0.12 inches

Arm- 0.05 inches

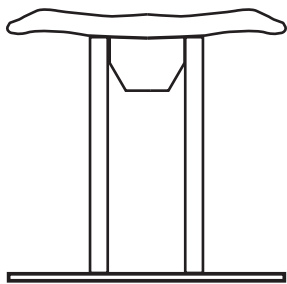
Two seat unit- 42.52 inches W x 17.72 inches T x 25.39 inches D • MOQ Required

Three seat unit- 64.17 inches W x 17.72 inches T x 25.39 inches D • In Stock

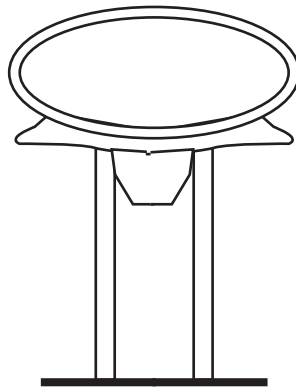
Four seat unit- 85.55 inches W x 17.72 inches T x 25.39 inches D • MOQ Required

Five seat unit- 106.93 inches W x 17.72 inches T x 25.39 inches D • MOQ Required

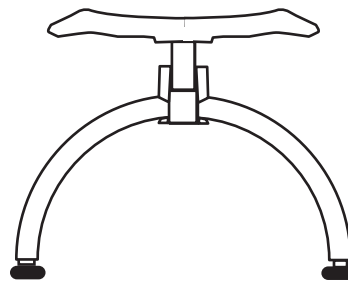
SIDE VIEWS ONLY



Model 322



Model 323

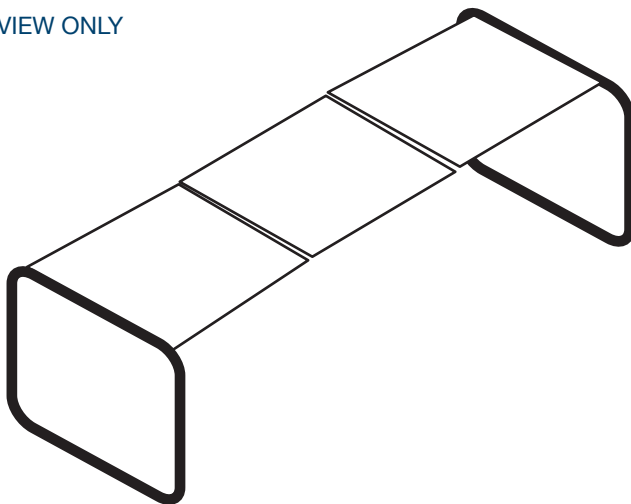


Model 321

Models 9100

Three seat unit- 63 inches W x 20.47 inches T x 16.54 inches D

SIDE VIEW ONLY



FOR MORE INFORMATION

